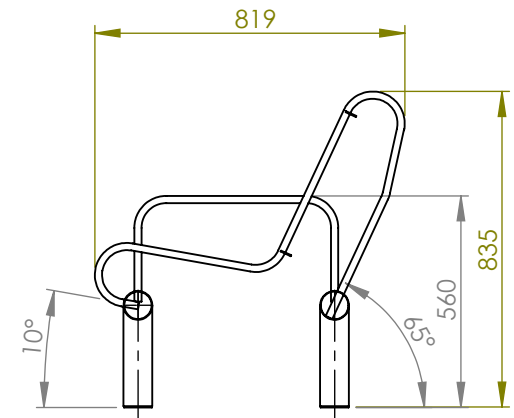
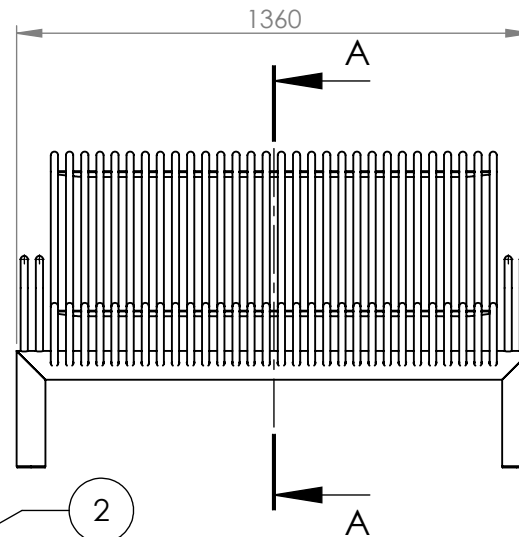
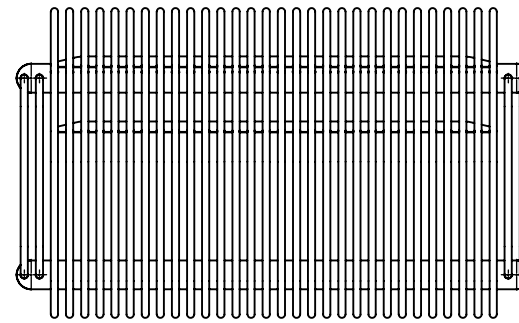
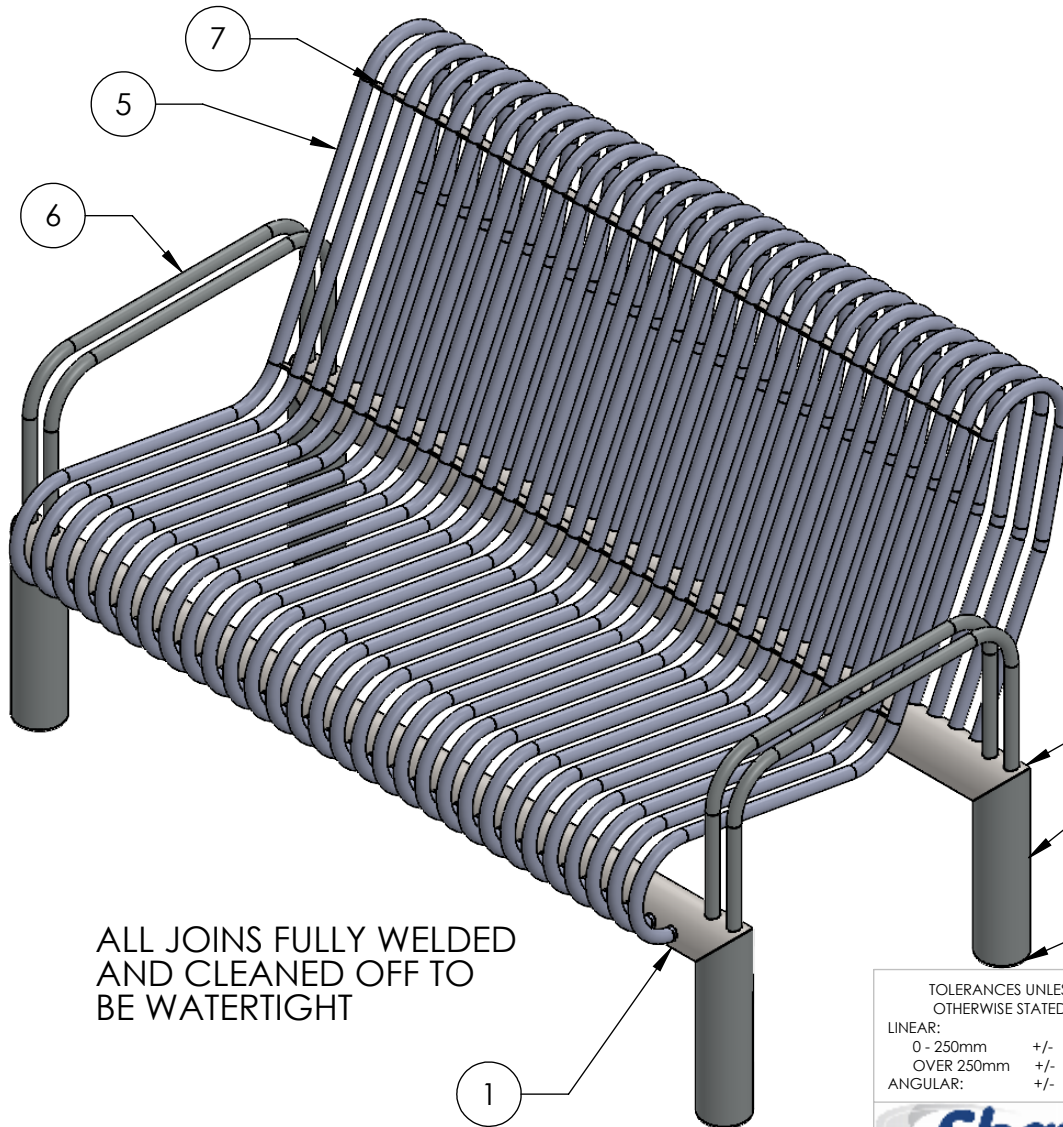


WEIGHT APPROX 44 KG

ITEM NO.	PART NUMBER	DESCRIPTION	QTY.
1	SB-2SB-M2-01A	Front Main Tube	1
2	SB-2SB-M2-01B	Rear Main Tube	1
3	SB-1SB-M2-01C	Leg	4
4	SB-1SB-M2-01D	Foot	4
5	SB-1SB-M2-01E	Bench Seat Tube	30
6	SB-1SB-M2-01F	Tube Arm	4
7	SB-2SB-M2-01G	2 Seat Bench Comb	2



SECTION A-A

ALL JOINS FULLY WELDED
AND CLEANED OFF TO
BE WATERTIGHT



<p>TOLERANCES UNLESS OTHERWISE STATED.</p> <p>LINEAR: 0 - 250mm +/- 0.25mm OVER 250mm +/- 0.5mm ANGULAR: +/- 0.5deg</p>		TITLE:	
	<p>MATERIAL: See Parts</p>	2 Seat Bench Mk2 Assembly	
<p>FINISH:</p>	DWG/Part NO.		A4
<p>DRAWN Grant</p>	SB-2SB-M2-01		
<p>DATE 04/10/2022</p>	SCALE 1:20	SHEET 1 OF	REVISION