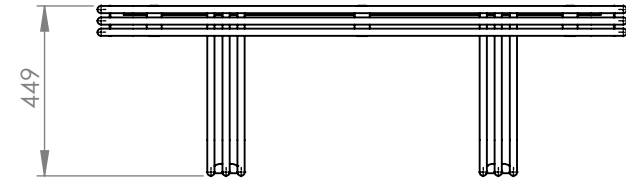
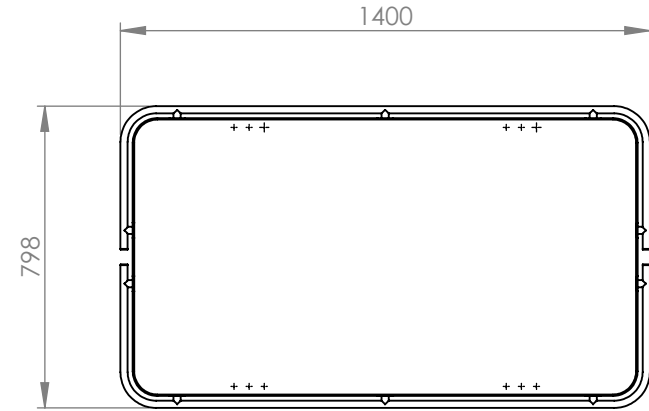
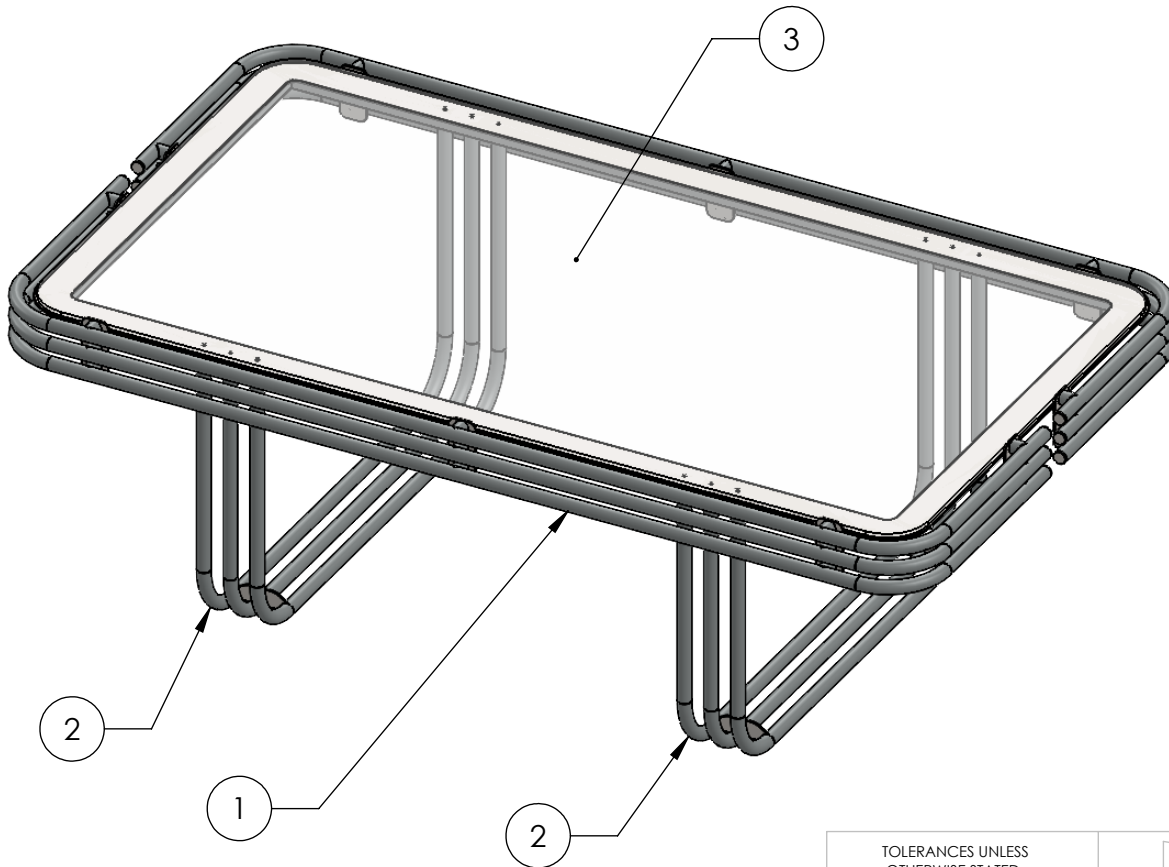





ITEM NO.	PART NUMBER	DESCRIPTION	QTY.
1	SB-MAN-TBL-01	Table Top Assembly	1
2	SB-MAN-TBL-02	Table Leg Assembly	2
3	SB-MAN-TBL-03	Table Glass	1

WEIGHT APPROX 41 KG

SCREW LEG ASSEMBLIES TO TOP ASSEMBLY USING
12 OFF STAINLESS M5 X 20 C'SUNK SOCKET HEAD SCREWS



<p>TOLERANCES UNLESS OTHERWISE STATED.</p> <p>LINEAR: 0 - 250mm +/- 0.25mm OVER 250mm +/- 0.5mm ANGULAR: +/- 0.5deg</p>	 	TITLE: Table Assembly	
	<p>MATERIAL: See Parts</p>	<p>FINISH:</p>	<p>DWG/Part NO. SB-MAN-TBL</p>
	<p>DRAWN Grant</p>	<p>DATE 28/06/2022</p>	<p>SCALE 1:20 SHEET 1 OF REVISION</p>